



# CONTAINER K7500

KL-K7500-EN

Version	Valid from
1	18.5.2011

Page 1/2



## Description:

The container K7500 is determined for transport technologic and other material on all types of suspended track.

The container is designed for device group I (mine) category M2 and device group II (over ground running) category 2 according to direction of European parliament and Council 94/9/EC and the decree of the government number 23/2003 digest as amended and it fulfils the conditions for using in surroundings with danger of methane and carbon dust explosion to degree SNM 2 according to § 232 decree ČBÚ č. 22/1989 dogest in wording to later regulations.

The container is hung on chains by housed joints. The container consists of two balance beams, equipped with cross-cut hangers for high-strength\_chains, by which it can regulate the high of hanging up container, chains and single container. The container is equipped with butts. For purpose long material traffic it can be deliver container without butts by request.

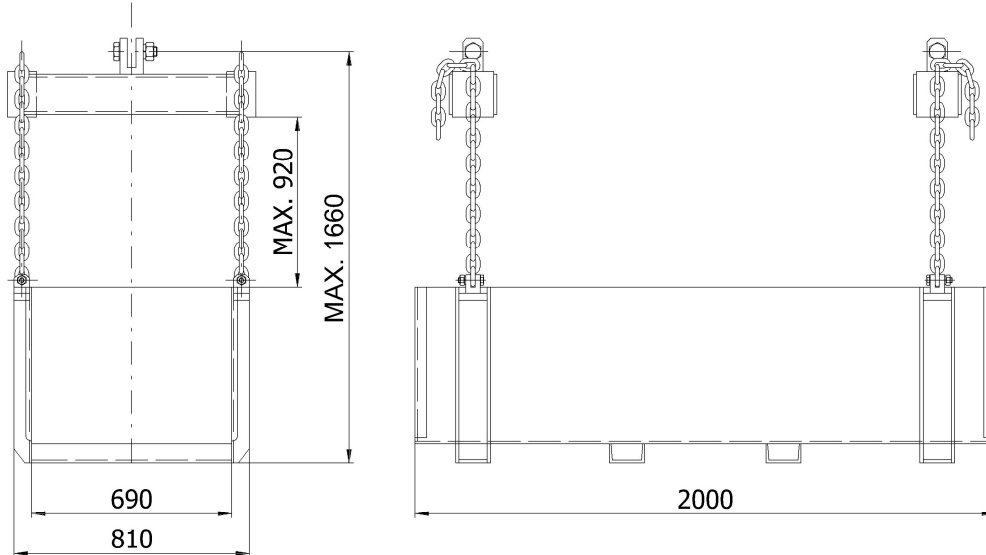
The container is being hanged on the suspended track using 2 carrying trolleys interconnected by connecting rod. These parts are not included in the shipment.

## Technical parameters:

Maximum loading capacity	7500 kg
Dead weight	326 kg
Proportions of container:	
- length	2000 mm
- width	810 mm
- high	600 mm
Bottom distance container from bottom part of railway	960 – 1700 mm
Carrying trucks loading capacity	min. 4000 kg
Plugs average for connecting to trucks	32 mm



FERRIT s.r.o, Na Zbytkách 41 , Staré Město u Frýdku-Místku,  
739 01 pošta Baška, Czech Republic  
Tel. +420 / 558 411 605, fax +420 / 558 411 620  
E-mail: [ferrit@ferrit.cz](mailto:ferrit@ferrit.cz), [www.ferrit.cz](http://www.ferrit.cz)

**Dimensional drawing:**

**Ordering:**

In the order please state the type of the machinery you ask for, supply number, number of units and specific requirements (for example different paint, etc.).

**Ordering key:**

SUPPLY NUMBER	VERSION
361-00-00000-9-04	K7500 in design with butts
361-00-00000-9-14	K7500 in design without butts

**Example of ordering:**

An order of one container K7500 in design without butts.

MACHINE TYPE	SUPPLY NUMBER	ITEMS NUMBER	SPECIFIC REQUIREMENTS
Container K7500	361-00-00000-9-14	1	

**Delivery date:** 4 weeks from confirmation the definite order

**Customs classification:** 7309 00 90 00