

**Description:**

Flameproof universal diode lamp type NSU-D 12/24 is used as illuminating light for mining suspending and railways locomotives, roadheading machines and others. Lamp is powered from mining machine electric current.

Flameproof universal lamp NSU-D 12/24 is lamp in flameproof enclosure with bus-bar space and one flameproof bushing for power lead cable induction and with fixing flange for self gripping to machine. Lamp consists from flameproof enclosure with glass, bus-bar space, set of LED diode – 3 red and 3 white diodes, 3 holders with lens, duraluminium cooler, and plate of electronics, terminals, switch and fixing flange, which is part of enclosure. Glass of flameproof enclosure is protected with grating cover. In flameproof space is located duraluminium cooler with set of LED diodes and holders with lens, plate of electronics, switch, flameproof bushing, which lead to bus-bar space. In bus-bar space are terminals for connecting to power source. From bus-bar space goes out flameproof bushing for cable connecting.

Flameproof universal lamp NSU-D 12/24 is furnished with 6 LED diodes and switch of main lamp. Main lightening 3 LED diodes are white, 3 LED diodes are red and attended as tail red light. After switch on lamp is light up main lightening LED diodes. Tail red light is switch on permanently.

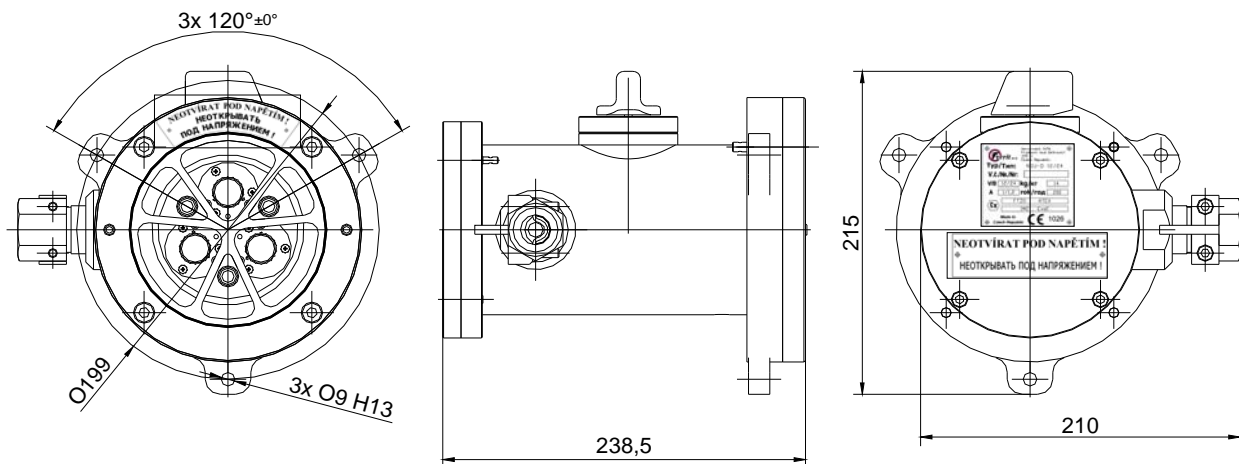
Flameproof universal lamp NSU-D 12/24 is allowed to operate in coal mines with dangerous of explosion of methane and with combustible coal dust. According to ČSN EN 1127-2 it could operate in spaces “SNM2” and “SNP2”. For using this lamp in underground there is accepted ČSN EN 1127-2 “Explosive spaces – prevention and protection from explosion”. According to government direction the lamp is going to group of equipment I, category M2 and in case of rising of explosion atmosphere it must be switch off.

Technical parameters:

Voltage rating	12 - 24 V, DC, IT (isolated from frame)
Rated power lightening sources	14 W
Rated power	max. 35 W
LED of main lamp	Lambertian LED 12 W white
LED of tail light	Lambertian LED 1 W red
Protection from dangerous contact	low voltage SELV
Weight	15 kg
Degree of coverage according to ČSN EN 60529	IP54
Kind of flameproof performance	I M2 Ex d I

Certificate ATEX : FTZÚ 08 ATEX 0143X

Dimensional drawing:



Ordering

In order, please, show type of ordering equipment, ordering number, quantity of ordering pieces, required quantity of accompanying documentation sets (Service instruction, Catalogue of spare parts etc. – standard we supply 2 sets of this documentation) and your specific requirements (e.g. accompanying documentation in electronic version etc.).



**FLAMEPROOF
UNIVERSAL DIODE LAMP
NSU-D 12/24**

KL-NSU-D12/24-EN

Version Valid from

0 28.8.2008

Page 3/3

Example of order:

Order for 1 pc. of flameproof universal diode lamp type NSU-D 12/24 with two sets of accompanying documentation.

EQUIPMENT TYPE	ORDERING NUMBER	Q-TY OF PCS.	ACCOMPANYING DOCUMENTATION	SPECIFIC REQUIREMENTS
Flameproof universal diode lamp NSU-D 12/24	421-70-00000-9-02	1	2 SETS	

Delivery time: 11 weeks from order

Customs classification: 9405 40 99 90



FERRIT s.r.o , Železniční II/174, 738 01 Frýdek-Místek, Česká Republika
tel. +420 / 558 621 753, fax.+420 / 558 621 804,
e-mail: ferrit@ferrit.cz, www.ferrit.cz