

Description:

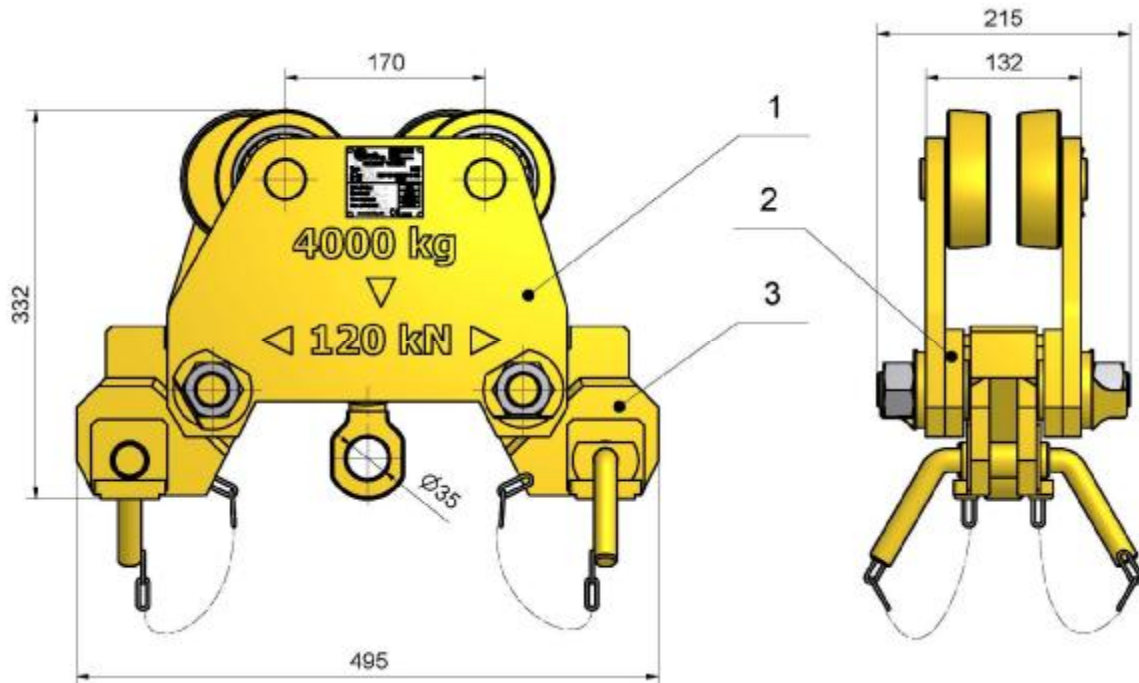
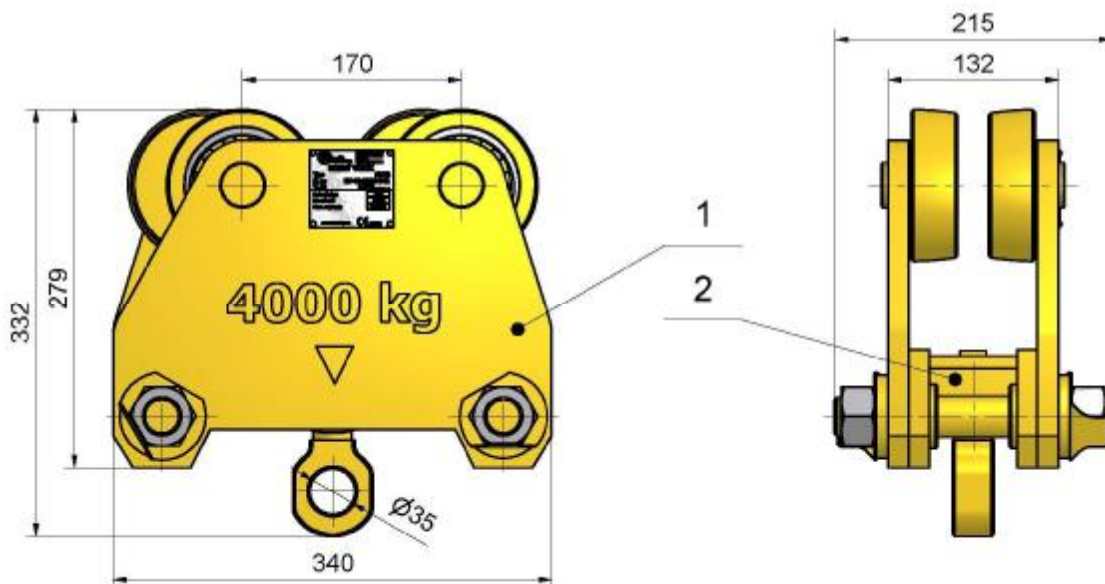
The beam trolley NV5 is designated for suspending and transporting loads on suspension tracks using the bearing profile “I-155”.

The beam trolley has a modular design, enabling assembly of two basic versions – with drawing anchorages and without drawing anchorages. The basic structural element of the beam trolley NV5 is a “hinge” in the central part, which the sides are fixed to using connecting pins. You can also put drawing anchorages on the connecting pins for 120 kN drawing allowing for conventional connecting rods to be connected.

With its design, the beam trolley meets the requirements stipulated for equipment group I (mining) category M2 and equipment group II (ground operations) category 2 as per the European Parliament and Council Directive 94/9/EC and Governmental Decree No. 23/2003 Coll., as amended, meeting the conditions for use in environment with risk of explosion of methane and coal dust up to degree of SNM2 as per section 232 of ČBÚ Decree No. 22/1989 Coll., as amended.

Technical parameters:

Modifications	NV5		NV5-2
Maximum load		4000 kg	
Service weight	55 kg		43 kg
Maximum drawing force	120 kN		---
Suspension track type	with bearing profile “I-155”		
Maximum track gradient	$\pm 30^\circ$		
Horizontal curve radius	4 m		
Vertical curve radius	8 m		

Dimensional drawing :
Beam trolley NV5 (with draw anchorages)

Beam trolley NV5-2 (without draw anchorages)




BEAM TROLLEY NV5

KL-NV5-EN

Version Valid from

0

1.3.2009

Page 3/3

Ordering:

In the order, please specify the required equipment type, ordering No., quantity, required number of the technical documentation sets (Operation Instructions, Spare Parts Catalog, etc. – as a standard, we supply 2 sets of this documentation) and specific requirements.

Ordering key:

TYPE	ORDERING NUMBER
NV5 (with draw anchorages)	757-00-00000-9-04
NV5-2 (without draw anchorages)	757-00-00000-9-24

Example of ordering:

Order of 10 sets of beam trolleys NV5 (with drawing anchorages) with supply of 2 technical documentation sets.

MACHINE TYPE	SUPPLY NUMBER	ITEMS NUMBER	ACCOMPANYING DOCUMENTATION	SPECIFIC REQUIREMENTS
NV5	757-00-00000-9-04	10	2 SETS	

Delivery date: 4 weeks from confirmation the definite order**Customs classification:** 8431 39 70 00

FERRIT s.r.o, Na Zbytkách 41 , Staré Město u Frýdku-Místku,
739 01 pošta Baška, Czech Republic
Tel. +420 / 558 411 605, fax +420 / 558 411 620
E-mail: ferrit@ferrit.cz, www.ferrit.cz